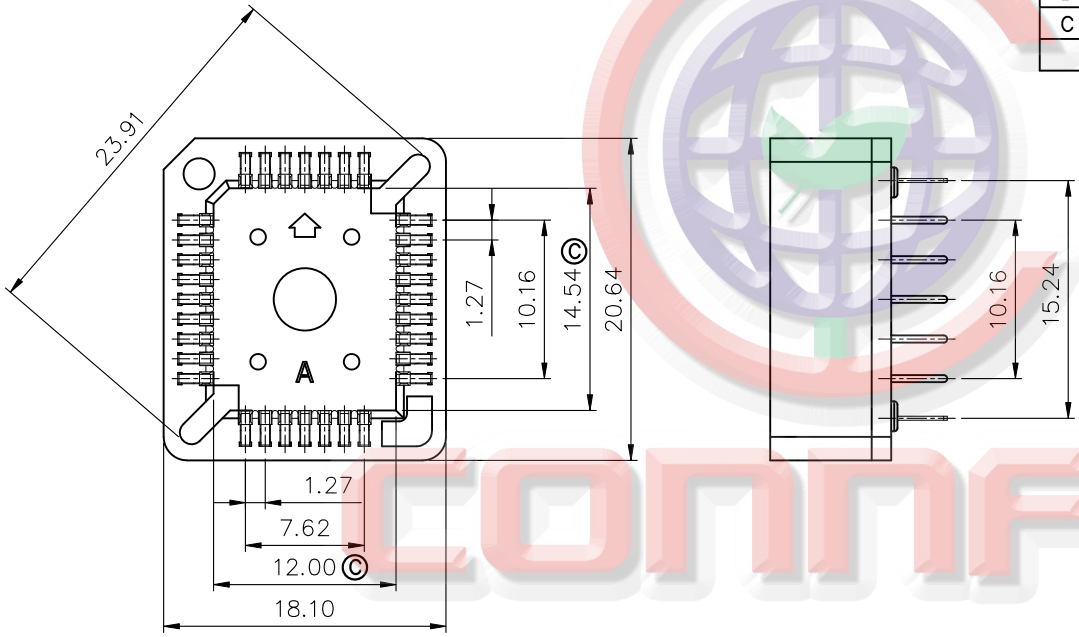


REV.	DESCRIPTION	DRAWN	CHECKED	APPROVED
A	NEW RELEASE	DMJ 07/18/07'	~	LJC 07/17/07'
B	更改料号代码	YCH 08/04/07'	~	LJC 08/04/07'
C	Change The Dimension	YCH 11/25/09'	~	LJC 11/25/09'



- NOTES:
- MATERIAL
 - INSULATOR: THERMOPLASTIC(UL 94V-0).
 - CONTACT: COPPER ALLOY.
 - SPECIFICATION
 - TEMPERATURE: -40°C~+105°C.
 - CONTACT RESISTANCE: 20mΩ max.
 - INSULATION RESISTANCE: 1000MΩ min.
 - DIELECTRIC WITHSTANDING VOLTAGE: AC 500V PER MINUTE.

- PART NUMBER: DS1032
- PRODUCT NUMBER CODE: DS1032- X X X X X X
 - PACKING A: TUBE
 - CONTACT PLATING T1: Tin.
 - HOUSING COLOR K: BLACK N: BROWN
 - MOUNTING TYPE D: V/T DIP
 - HOUSING MATERIAL S: PPS
 - No.OF CONTACTS 32




RECOMMEND PCB(V/T TYPE) LAYOUT
TOLERANCE=±0.05

Tel:86-574-63508787
 Fax:86-574-63510817
 E-mail:sale@connfly.com
 http://www.connfly.com
 Add:East Industry Zone KuangYan
 Town Cixi Ningbo China
 P.C:315333

GENERAL TOLERANCE		ANGLE TOLERANCE	
X.	±0.60	X.	±5°
.X	±0.38	.X	±3°
.XX	±0.25	.XX	±2°

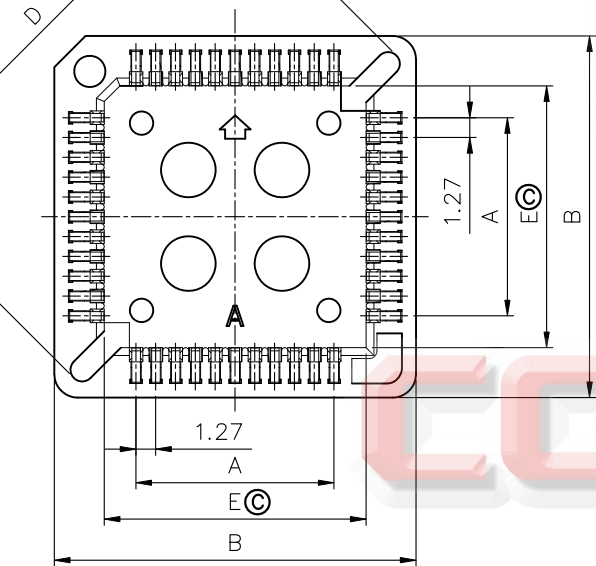
DRAWING TYPE	CUSTOMER		
SCALE	1:1	SHEET	1 OF 1
DRAWING NO.	C-DS1032-32XXXXX		

PROJECTION	TITLE
UNITS	PLCC 32pin DIP SOCKET
SHEET SIZE	SERIES DS1032 SERIES

 晨翔电子有限公司
CONNFLY CONNFLY ELECTRONIC CO. LTD

FOR 32pin ONLY

REV.	DESCRIPTION	DRAWN	CHECKED	APPROVED
A	NEW RELEASE	DMJ 07/18/07'	~	LJC 07/17/07'
B	Change The P/N.	YCH 08/04/07'	~	LJC 08/04/07'
C	Change The DIM E For 44p	YCH 11/25/09'	~	LJC 11/25/09'



Dimension

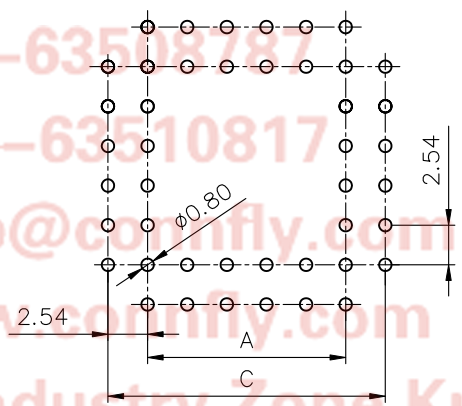
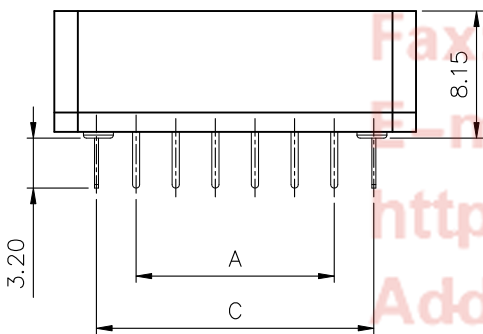
Position	A±0.2	B±0.4	C±0.2	D±0.2	E±0.2
20	5.08	15.56	10.16	18.46	9.16
28	7.62	18.10	12.70	22.05	11.70
44	12.70	23.18	17.78	29.24	17.18
52	15.24	25.72	20.32	32.83	19.32
68	20.32	30.80	25.40	40.02	24.40
84	25.40	35.88	30.48	47.20	29.48

NOTES:

- MATERIAL
 - INSULATOR: THERMOPLASTIC(UL 94V-0).
 - CONTACT: COPPER ALLOY.
- SPECIFICATION
 - TEMPERATURE: -40°C~+105°C.
 - CONTACT RESISTANCE: 20mΩ max.
 - INSULATION RESISTANCE: 1000MΩ min.
 - DIELECTRIC WITHSTANDING VOLTAGE: AC 500V PER MINUTE.

- PART NUMBER: DS1032
- PRODUCT NUMBER CODE: DS1032- X X X X X X

- PACKING A: TUBE
- CONTACT PLATING T1: Tin.
- HOUSING COLOR K: BLACK N: BROWN
- MOUNTING TYPE D: V/T DIP
- HOUSING MATERIAL S: PPS
- No.OF CONTACTS 20 28 44 52 68 84



RECOMMEND PCB(V/T TYPE) LAYOUT TOLERANCE=±0.05

Tel:86-574-63508787
 Fax:86-574-63510817
 E-mail:sale@connfly.com
 http://www.connfly.com
 Add:East Industry Zone KuangYan
 Town Cixi Ningbo China
 P.C:315333

GENERAL TOLERANCE		ANGLE TOLERANCE	
X.	±0.60	X.	±5°
.X	±0.38	.X	±3°
.XX	±0.25	.XX	±2°

DRAWING TYPE	CUSTOMER		
SCALE	1:1	SHEET	1 OF 1
DRAWING NO.	C-DS1032-XXXXXX		

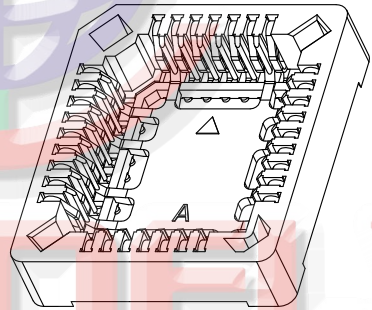
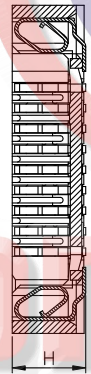
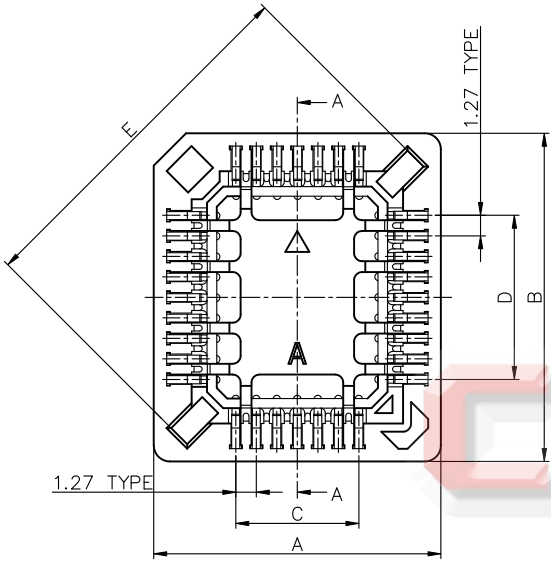
PROJECTION		TITLE	PLCC 20/28/52/68/84pin DIP SOCKET
UNITS	mm	SHEET	DS1032 SERIES
SHEET SIZE	A4	SERIES	DS1032 SERIES

晨翔电子有限公司
CONNFLY CONNFLY ELECTRONIC CO. LTD

REV.	DESCRIPTION	DRAWN	CHECKED	APPROVED
A	NEW RELEASE	YCH 11/13/07'	~	LJC 11/13/07'
B	DELETE P/N CODE	JLZ 01/14/16'	HZW 01/14/16'	LJC 01/14/16'

- NOTES:
- MATERIAL
 - INSULATOR: THERMOPLASTIC,PPS CLASS FIRBER FILLED(UL 94V-0).
 - CONTACT: PHOSPHOR BRONZE.
 - SPECIFICATION
 - TEMPERATURE: -40°C~+105°C.
 - CONTACT RESISTANCE: 20mΩ max.
 - INSULATION RESISTANCE: 1000MΩ min.
 - DIELECTRIC WITHSTANDING VOLTAGE: AC 500V PER MINUTE.
 - PART NUMBER: DS1032 SMT TYPE
 - PRODUCT NUMBER CODE:
DS1032- X X X X X X X

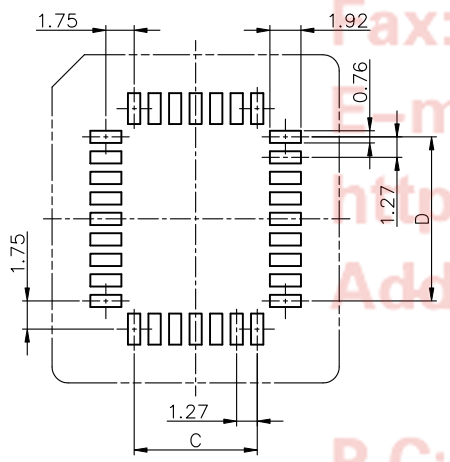
- PACKING
- A: TUBE
- R: TAPE ON REEL
- PROFILE HEIGHT(DIM H)
- 1: 3.81mm
- L: 4.6mm
- CONTACT PLATING
- T1: Tin.
- HOUSING COLOR
- K: BLACK
- N: BROWN
- MOUNTING TYPE
- S: SMT
- HOUSING MATERIAL
- S: PPS
- No.OF CONTACTS
- 20 28 32 44
- 52 68 84



SECTION A-A

Dimension

Position	A±0.2	B±0.4	C±0.2	D±0.2	E±0.2
20	15.24	15.24	5.08	5.08	16.70
28	17.78	17.78	7.62	7.62	20.30
32	17.78	20.32	7.62	10.16	22.50
44	22.86	22.86	12.70	12.70	27.50
52	25.40	25.40	15.24	15.24	31.10
68	30.82	30.82	20.32	20.32	38.30
84	35.90	35.90	25.40	25.40	45.50




RECOMMEND PCB LAYOUT
TOLERANCE=±0.05

Tel:86-574-63508787
 Fax:86-574-63508787
 E-mail:sale@connfly.com
 http://www.connfly.com
 Add:East Industry Zone, ZhangYan
 Town Cixi Ningbo China
 P.C:315333

GENERAL TOLERANCE		ANGLE TOLERANCE	
X.	±0.60	X.	±5°
.X	±0.38	.X	±3°
.XX	±0.25	.XX	±2°

PROJECTION	TITLE	PLCC SOCKET SMT TYPE	
UNITS	mm	SHEET SIZE	A4
SHEET SIZE	A4	SERIES	DS1032 SERIES

DRAWING TYPE	CUSTOMER		
SCALE	1:1	SHEET	1 OF 1
DRAWING NO.	C-DS1032-XSSXXXX-B		

 **晨翔电子有限公司**
CONNFLY CONNFLY ELECTRONIC CO. LTD